

SPLasher™

Solar Beacon Control

Battery Light

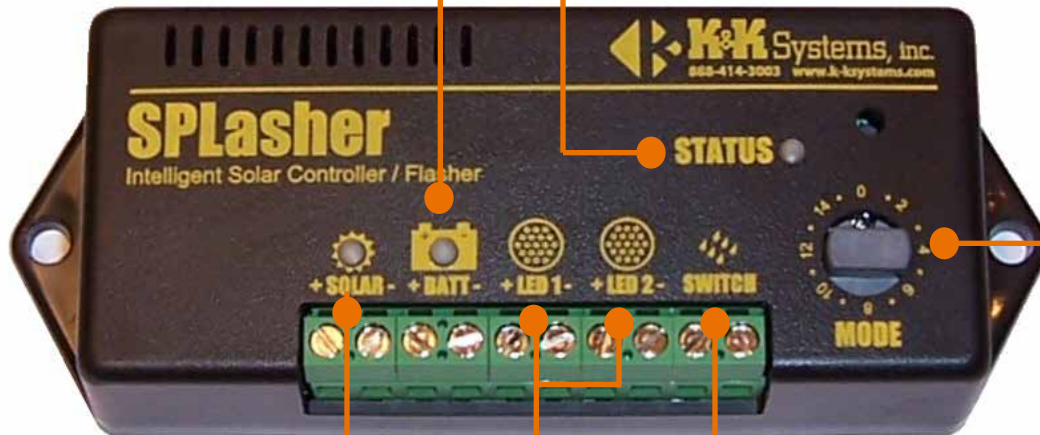
Battery status light for safe accurate battery connections:
Green = Good Connection
Red = Reverse Polarity

Status Light

The status light flashes in sequence with the first output, letting you know the flasher is active and at what rate it is flashing

Key Points

- All-In-One Solar Controller, Flasher, and Auto-Dimmer
- Maximum Power Point Tracking (MPPT)- Extract maximum power from the solar panel regardless of environment
- Multi-Stage Battery Charger to Maximize Battery Life.
- Works with all 24/7 LED beacons and most specialty lights
- Small compact design
- LED flasher outputs (x2)
- Microprocessor-based Smart Controller
- Duty Cycle adjustable between 10% and 50%
- OEM/Custom options available



MODE Switch

- 0 : 50/50 Flash Mode -24/7
- 1 : 50/50 Flash Mode -Switched -1 minute
- 2 : 50/50 Flash Mode -Switched -3 minutes
- 3 : 50/50 Flash Mode -Switched -(1 sec) Custom time
- 4 : 90/10 Flash Mode -24/7
- 5 : 90/10 Flash Mode -Switched -1 minute
- 6 : 90/10 Flash Mode -Switched -3 minutes
- 7 : 90/10 Flash Mode -Switched -(1 sec) Custom time
- 8 : 50/50 -90/10 24/7 flasher (LED1=50/50, LED2= 90/10)
- 9 :50/50 -90/10 Switch or radio triggered 1 minute flasher (LED1=50/50, LED2 = 90/10)
- 10 :50/50 - 90/10 Switch or radio triggered 3 - minute flasher (LED1 = 50/50, LED2 = 90/10)
- 11 : 50/50 - 90/10 Switch or radio triggered (1 sec) Custom time (LED 1 = 50/50, LED2 = 90/10)
- 12 : ON-No Flash-No Dimming - Switched (1sec) Custom time
- 13 : Wig/Wag; Switched (1sec) Custom time
- 14 : Wig/Wag - Switch or radio triggered 3-minute flasher
- 15 : Wig/Wag - Switch or radio triggered 1- minute flasher

Solar Light

Solar controller status indicator shows when battery is being charged:
Green = Full Charge
Yellow = Charging

Load

12V LED/ DC Flasher outputs/ switches (x2).
Maximum load 50W per output.

Switch

Switch/dry-contact:
Optional activation

- Moisture Sensor
- Push Button
- Water Level Sensor
- Motion Sensor
- Overspeed Sensor

Wireless Control

Optional wireless antenna module for remote control

