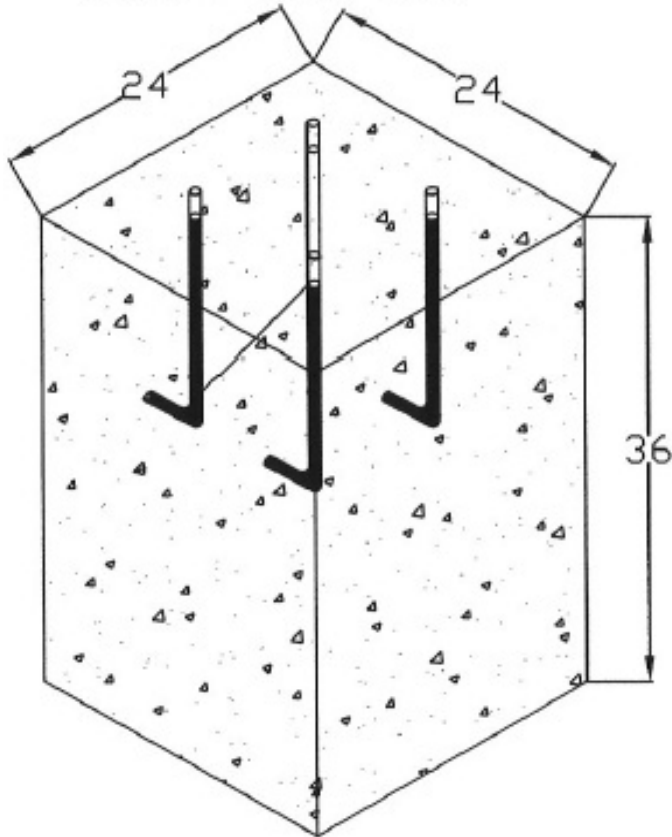
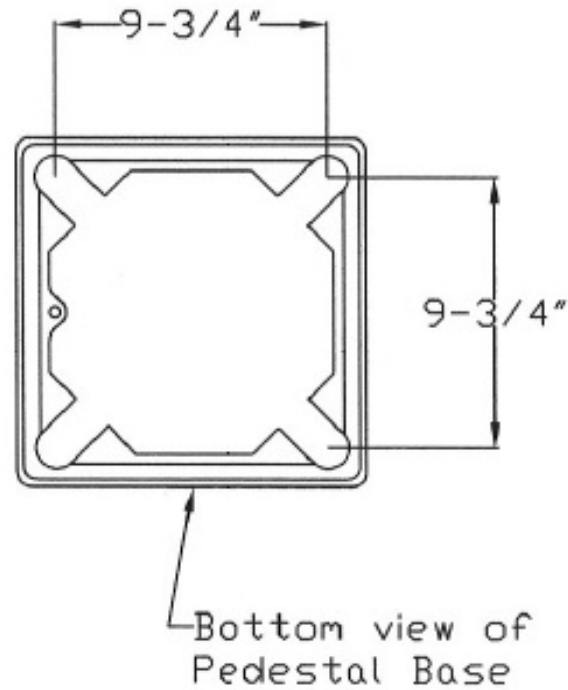


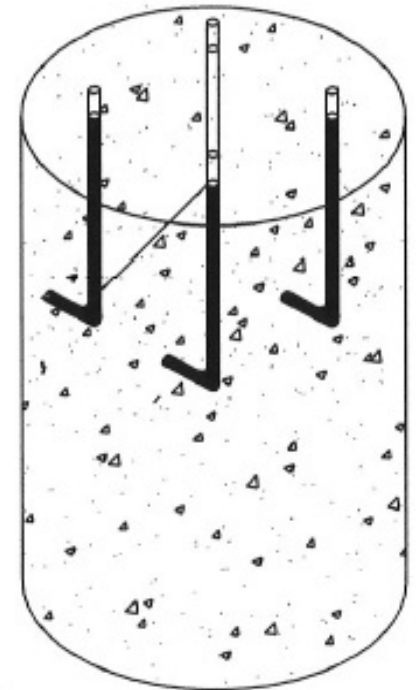
Square Hole Dims.



Anchor Bolt Hole Pattern



Round Hole  
24" dia. - 36"  
depth



**PROPRIETARY AND CONFIDENTIAL**

INFORMATION CONTAINED IN THIS DRAWING IS THE SOLE PROPERTY OF K&K SYSTEMS. REPRODUCTION IN PART OR AS A WHOLE WITHOUT THE WRITTEN PERMISSION OF K&K SYSTEMS IS PROHIBITED.

**K&K SYSTEMS, INC.**

687 PALMETTO ROAD  
TUPELO, MS 38801  
888-414-3003  
www.k-systems.com

MODEL NO: **Optional CCTR**

SHEET NO: **Anchor Bolt Pattern**

DATE: **5/18/2011**